

# LUX-top® ASP EV 9 II Ø18

for attaching to trapezoidal profiles



## MOUNTING SURFACE:

- steel trapezoidal profiles min.  $t = 0,75$  mm  
for  $48 \geq h \leq 165$  mm



## FIXING MATERIAL:

- 4 pcs. toggle bolt M8 (A2)



## MATERIAL:

- Stainless steel W1.4301 / AISI 304
- Corrosion resistance class CRC II to EN 1993-1-4



## CERTIFICATION/APPROVAL:

- Type Examination Certificate to EN 795 type A, certificate  
no. ZP/B225/19



## USERS:

- max. 3 users



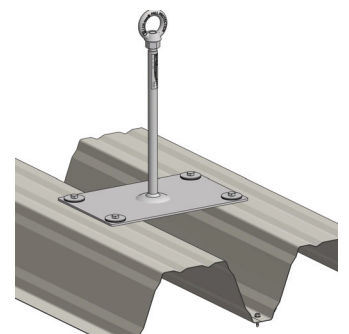
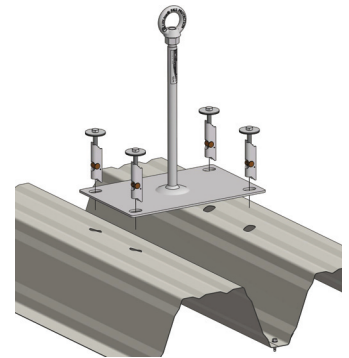
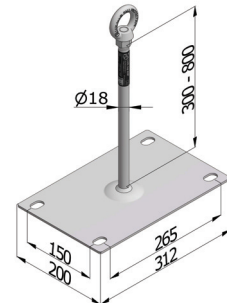
## POSSIBLE COMBINATIONS:

- combination with temporary horizontal anchor device
- intermediate point in LUX-top® FSE 2003 stainless steel rope  
system
- anchor point can be extended up to 400 mm with  
LUX-top® Extension Ø18



## PRODUCT HIGHLIGHTS:

- fastest installation
- also suitable for acoustic profiles



You can find further information here: 

[www.lux-top-absturzsuren.de/en/asp-ev9](http://www.lux-top-absturzsuren.de/en/asp-ev9)