

LUX-top® ASP EV 10 III Ø26

for attaching to prestressed concrete hollow ceilings



MOUNTING SURFACE:

- prestressed concrete hollow ceilings min. C45/55 with min. upper web thickness = 28 mm



FIXING MATERIAL:

- 4 pcs. hollow-ceiling anchor FHY A4 M10



MATERIAL:

- Stainless steel W1.4301 / AISI 304
- Corrosion resistance class CRC II to EN 1993-1-4



CERTIFICATION/APPROVAL:

- Type Examination Certificate to EN 795 type A, certificate no. ZP/B225/19



USERS:

- max. 3 users



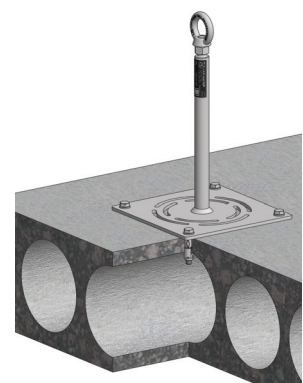
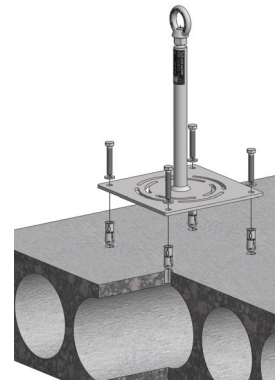
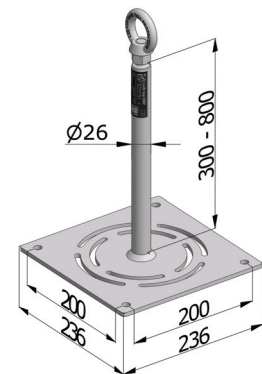
POSSIBLE COMBINATIONS:

- combination with temporary horizontal anchor device
- start / end / corner point in LUX-top® FSE 2003 stainless steel rope system
- anchor point can be extended up to 200 mm with LUX-top® Extension Ø26



PRODUCT HIGHLIGHTS:

- up to 800 mm height
- high flexibility due to free positioning



You can find further information here: 

www.lux-top-absturzsuren.de/en/asp-ev10